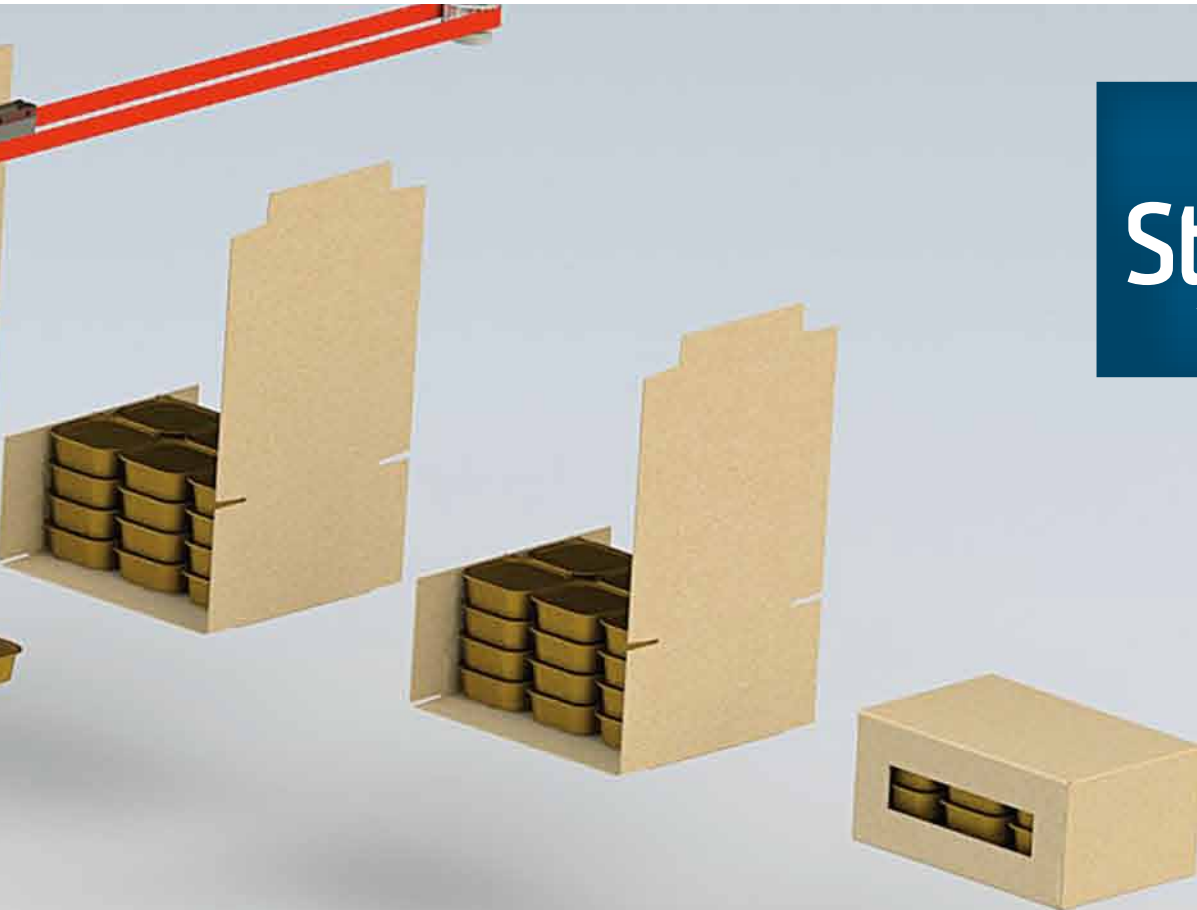
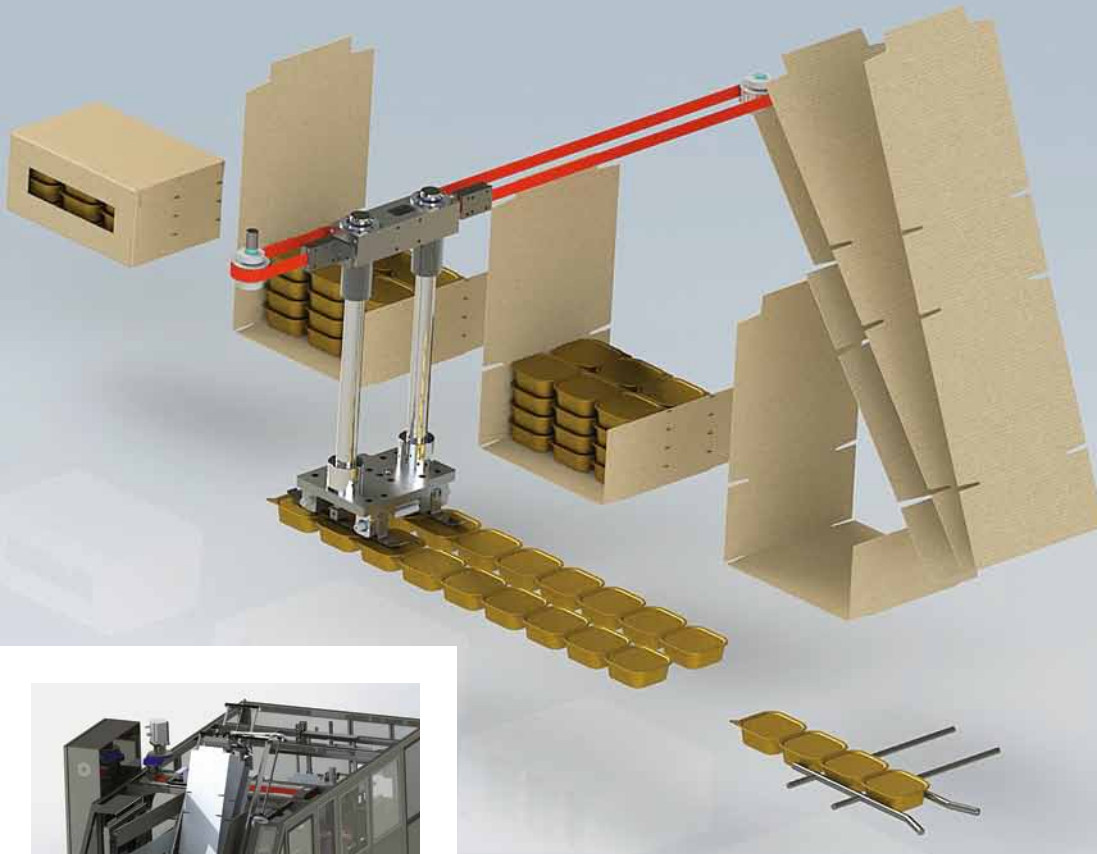


VIPER

StanTech CARDBOARD PACKAGING SYSTEMS





- Automatic case loading and closing machine
- Hot melt enclosing system
- Multilayer packaging
- Automatic settings for new formation of the packaging
- Optionally the machine places protective layer between each layer of products
- Optional dual pick and place module for double the output

VIPER

Stan Tech high capacity product wrap around machine for packaging of various types of product in to the transportation cardboard box.

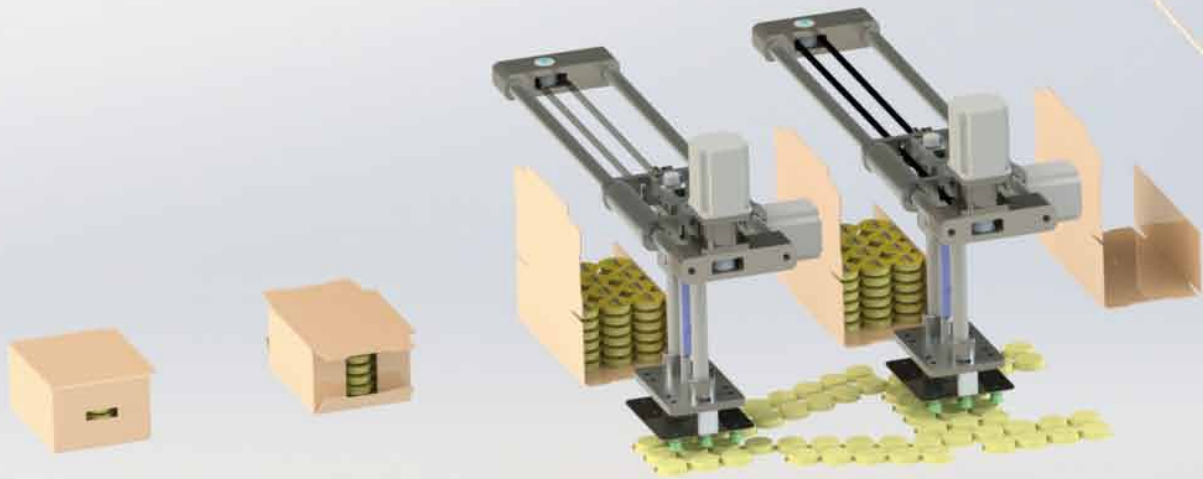
Operation:

Machine receives the product, reorients the product in to the packaging formation and places formation in to the box. The box has been pulled out by the suction cups from the box magazine one by one. The machine indexes forward and places the box to the position ready for receiving the product. Pick-and-place module positions the formation on to the box. Next index - box is being folded around the product maintaining predetermined formation of the product.

VIPER DUO

DUAL PICK AND PLACE MODULS

UP TO 16.000 PRODUCTS UNITS PER HOUR



Model	VIPER 700
Machine dimensions (LxWxH)	4600 x 2100 x 2600 mm
Capacity	Up 12 boxes/min.
Compressed air	6 bar
Power requirements	380 V, 50 Hz
Case dimensions:	
Long up to	350 mm
Width up to	600 mm
High up to	350 mm

Machine is capable of packing multiple layers of product. Optionally the machine inserts cardboard sheets between each layer to further protect the product.

Touch screen provides easy operating instructions and working parameters be controlled by the operator.

Adjustment to the machine's working parameters (number of layers or size of the box to use for packaging) is being done easily thru touch screen product selection. This level of flexibility is especially integrated for clients requiring the machine to run different formation of products with no human involvement and minimum down time during the changeover.

Operating speed of the machine varies depending on the type of the product to run, and can go up to 8.000 units/hour.

Standard offer is VIPER in IP55 protection, main construction in carbon steel. Upon customer request it can be done in higher level of corrosion protection and main construction in stainless materials.

VIPER is made for a wide variety of products in food industry, pharmaceutical or chemical industry, where production needs require highly dependable and durable packaging line.



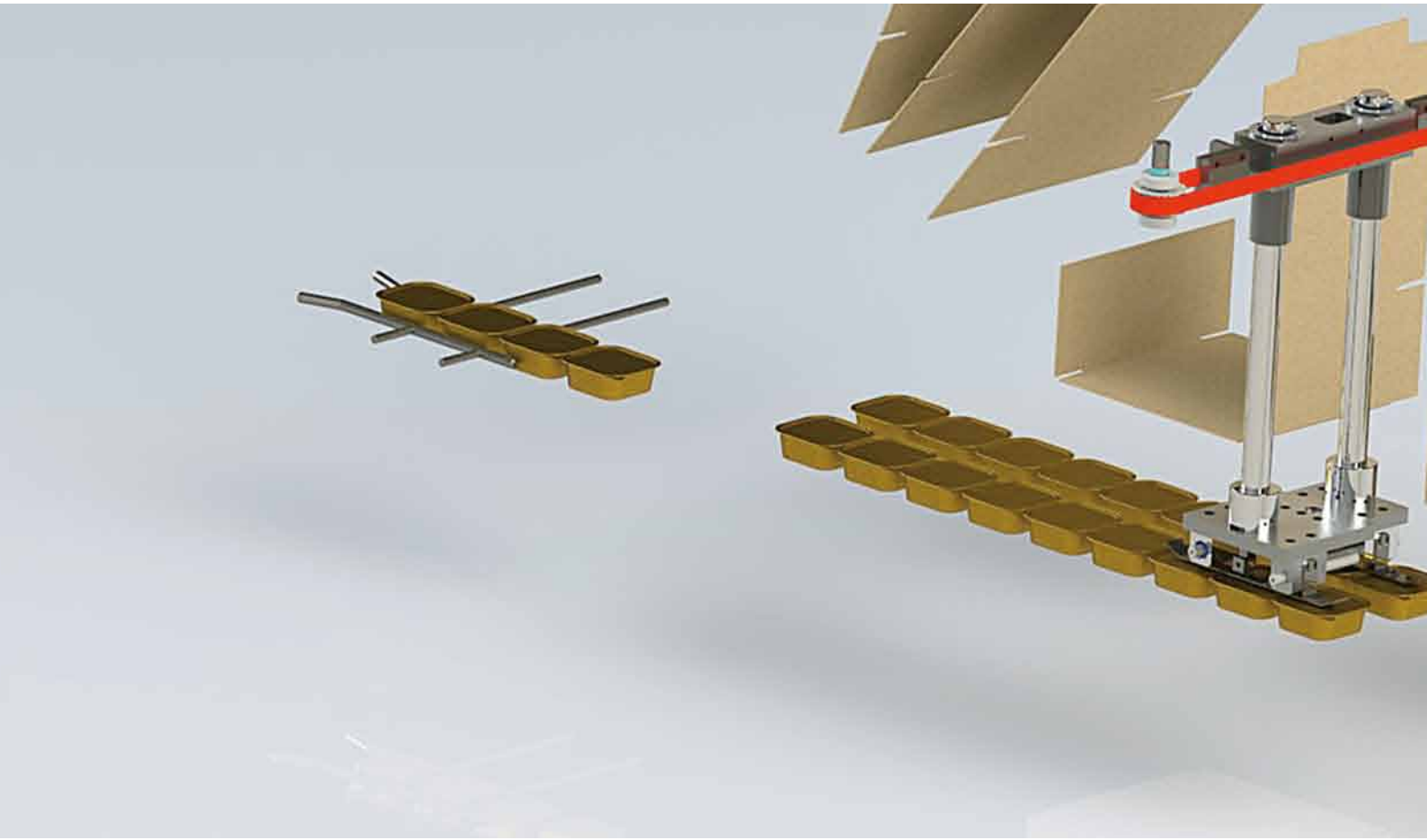
Stan Tech is proud to offer big variety of fully automated systems from two main areas of packaging industry:

• **Cardboard packaging:**

- Carton erecting machines
- Carton forming machines
- Carton closing machines
- Carton loading machines

• **Tray filling and sealing:**

- Machines for filling and sealing of preformed trays (plastic and aluminum trays, cans, etc)
- Machines for sealing trays with lid stock film or precut lids
- Machines for filling and sealing of trays in modified atmosphere packaging
- Bottle unscrambles



Aleksandra Petrovica 25, 11080 Beograd, Zemun
Tel. +381 63 641 556 • Fax. +381 63 298 346
office@stantech.rs